

Installation, Operation and Maintenance Instructions



METAL DETECTOR INK MARKING SYSTEM BINKS 2 GALLON DESIGN

ERIEZ MAGNETICS HEADQUARTERS: 2200 ASBURY ROAD, ERIE, PA 16506-1440 U.S.A.
WORLD AUTHORITY IN ADVANCED TECHNOLOGY FOR MAGNETIC, VIBRATORY and INSPECTION APPLICATIONS

Table of Contents

ERIEZ METAL DETECTOR INK MARKING SYSTEM BINKS 2 GALLON DESIGN

INSTALLATION	3
OPERATION.....	3
PARTS LIST, PHYSICAL SYSTEM	3
INK MARKING SYSTEM OVERVIEW.....	4
INK MARKING SYSTEM CONTROL.....	5
SCHEMATIC DIAGRAM	6
& OUTLINE STYLE 316481	



CAUTION

**Safety labels must be affixed to this product.
Should the safety label(s) be damaged, dislodged
or removed, contact Eriez for replacement.**

Installation

Placement of the Ink Marking System should be correlated with the conveyor belt speed to allow the ink mark to coincide with detected metal. The ink reservoir may be located up to 15 feet (5m) away from the solenoid valve and gun. To determine the placement of the ink gun, it is necessary to bring the conveyor up to rated speed and have the metal detector operational. A piece of tramp metal should then be thrown onto the belt and allowed to pass through the aperture. The ink gun and support rod should be positioned to let the ink spray directly onto the tramp metal. When a suitable position have been decided upon, the gun support rod fixture should be positioned on the conveyor frame and secured by welding or thru bolting.

Operation

The Universal Ink Marking System Control, see drawing 3N-833489, contains an adjustable time delay relay, TR1. This relay is latched on for the time interval noted on top of the relay. With the unit properly wired and power applied, the system is activated by turning the Marker Switch to the ON position. The solenoid valve and ink flow may be manually tested by depressing the Ink Flow Switch on the panel. The time interval of TR1 may need to be increased if not enough ink is deposited on the conveyed material. Turning the TR1 control clockwise, increases the ink flow time. The ink mark interval should not be more than one or two seconds to facilitate finding and removing tramp metal from the conveyed material. See drawing 3N-816481 for assembly details.

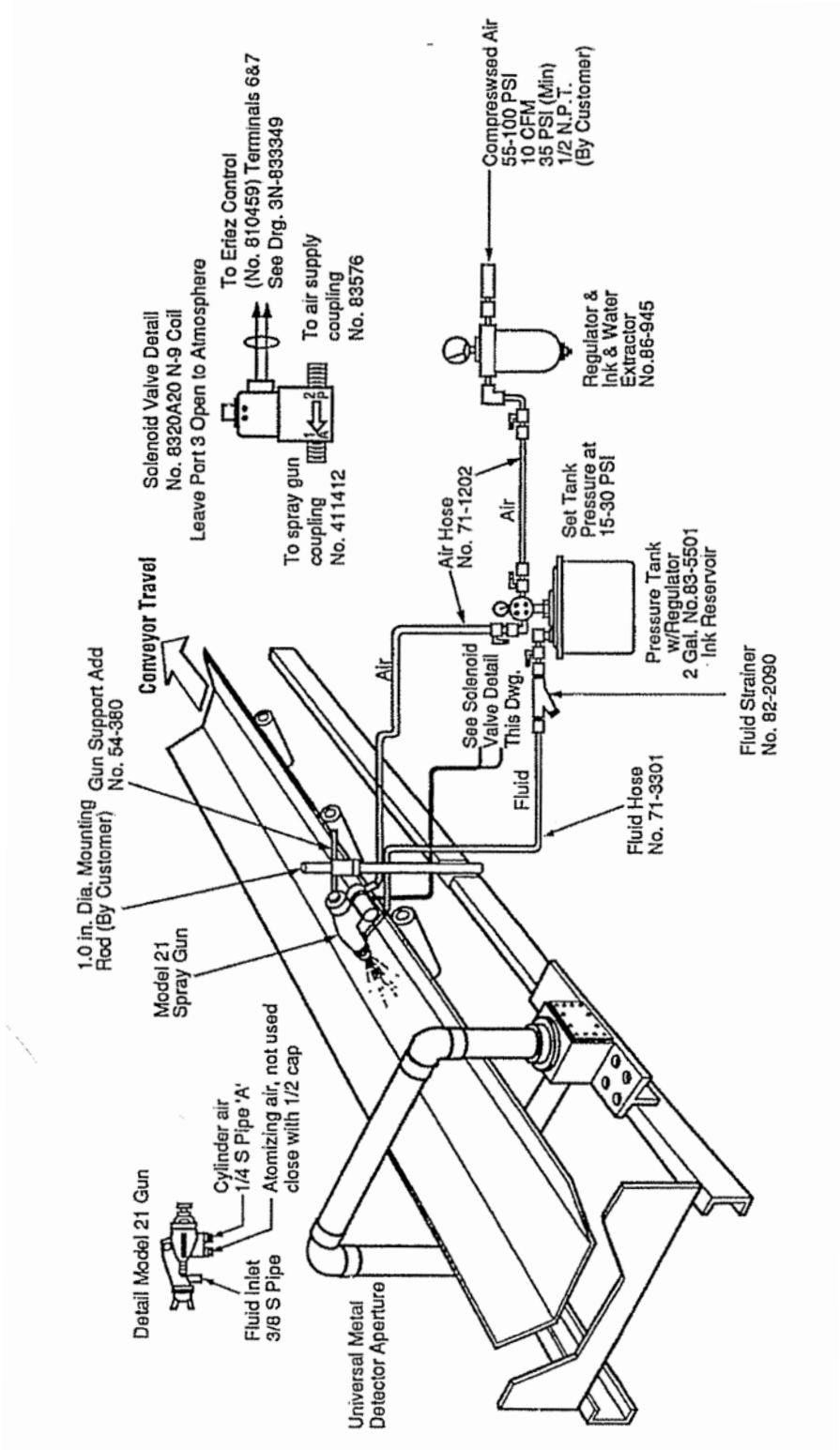
PARTS LIST, PHYSICAL SYSTEM

Quantity	Part Description	Eriez P/N
1	BINKS No. 21 Gun	811028
1	2 Gallon Reservoir w/Regulator P/N 83-5501	811032
1	Oil & Water Extractor w/Regulator P/N 86-945	811034
1	3-way Explosion Proof Solenoid Valve 115 VAC Coil No. 8320A20	811041
2	10' x 5/16" Air Line Hose Assembly 1/4 MPT each end P/N 71-1202	811033
1	10' x 3/8" Fluid Line Hose Assembly 3/8 MPT each end P/N 71-3301	811030
1	Gun Support Rod P/N 54-380	811029
1	Fluid Strainer P/N 83-2090	811031
1	1/4 MPTS x 1/4 MPTT P/N 83576	811050
1	1/4 FPTS x 1/4 MPTT P/N 411412	811051
1	Control 3N-816481	810453
1	1/4 Cap	400906

Note: Quantity and color ink to be specified upon receipt of order



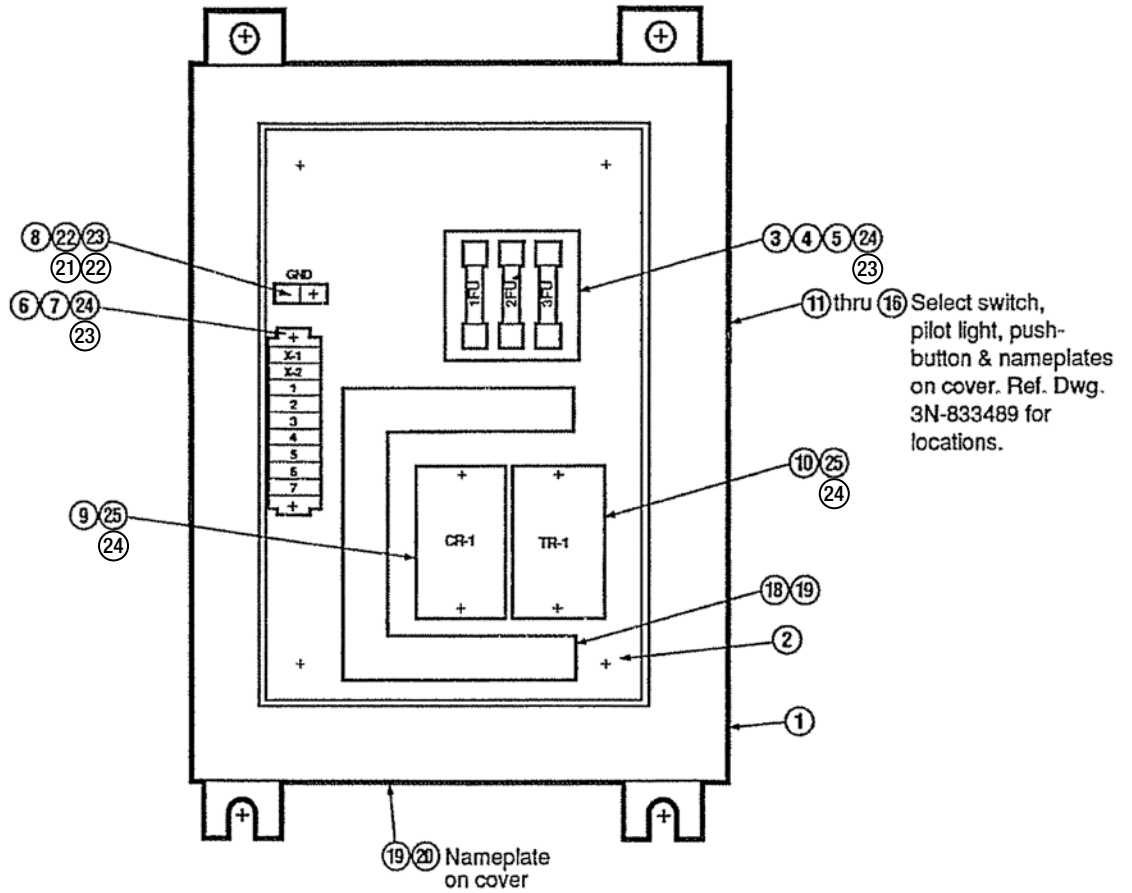
INK MARKING SYSTEM OVERVIEW



Drawing No. 2R-855424



INK MARKING SYSTEM CONTROL



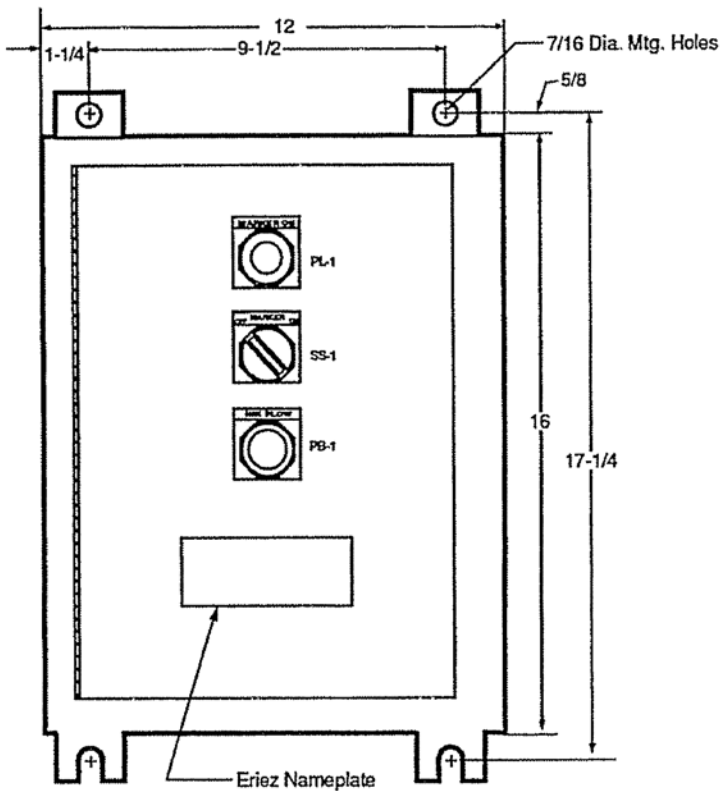
Item No.	Part Description
1	Housing, NEMA 12
2	Panel
3	Fuse Cutout
4	Fuse
5	Fuse
6	Terminal Section
7	End Section
8	Ground Lug
9	Relay
10	Time Delay Relay
11	Selector Switch
12	Name Plate
13	Pilot Light
14	Nameplate
15	Push-button
16	Nameplate
17	Wire #16 Red
18	Wire Duct
19	Double-backed Tape
20	Nameplate
21	Round Head Screw
22	Lock Washer
23	Round Head Screw
24	Round Head Screw

Note: Wires to be marked with brady type SCN-13 markers. Refer to drawing 3N-833489 for numbering.

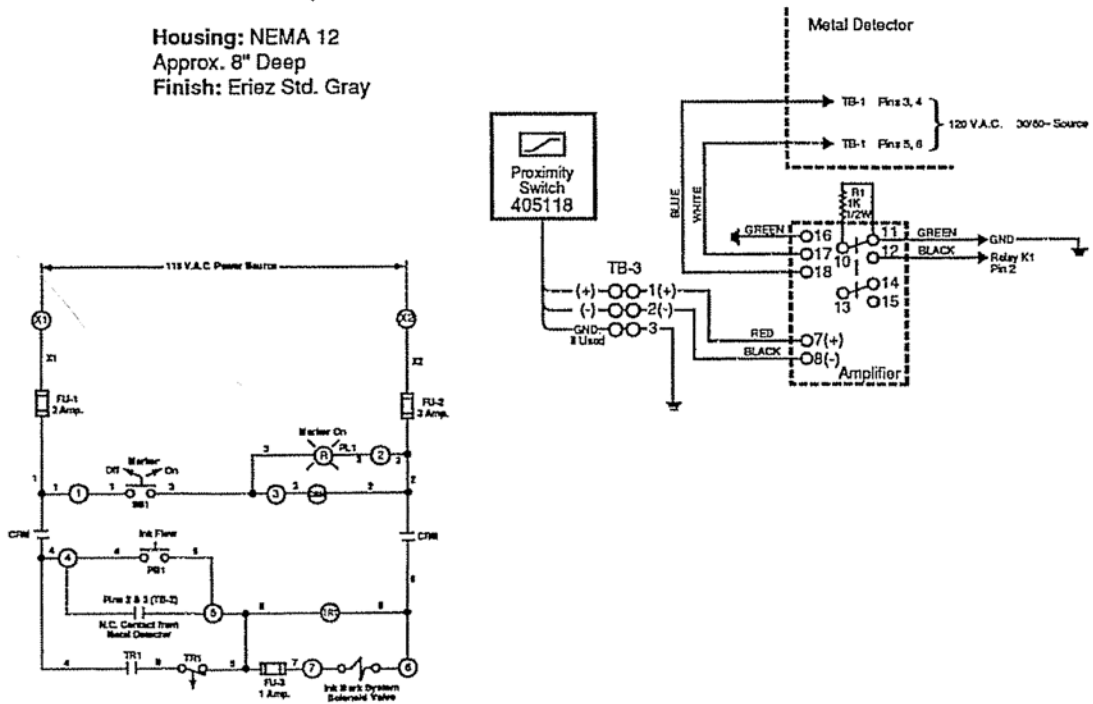
Drawing No. 3N-816481



SCHEMATIC DIAGRAM & OUTLINE STYLE 816481



Housing: NEMA 12
Approx. 8" Deep
Finish: Eriez Std. Gray



Drawing No. 3N-833489



THIS PAGE
INTENTIONALLY
LEFT BLANK





World Authority in Advanced Technology for Magnetic, Vibratory and Inspection Applications

Headquarters: 2200 Asbury Road, Erie, PA 16506-1440 U.S.A.

Telephone: 814/835-6000 • 800/345-4946 • Fax: 814/838-4960 • International Fax: 814/833-3348

Web Site: <http://www.eriez.com> e-mail: eriez@eriez.com

Manufacturing Facilities: AUSTRALIA • BRAZIL • CANADA • CHINA • INDIA • JAPAN • MEXICO • SOUTH AFRICA • UNITED KINGDOM • UNITED STATES